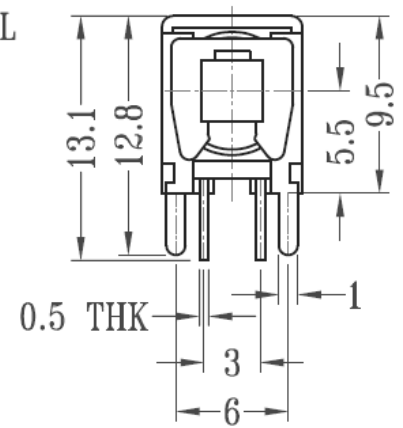
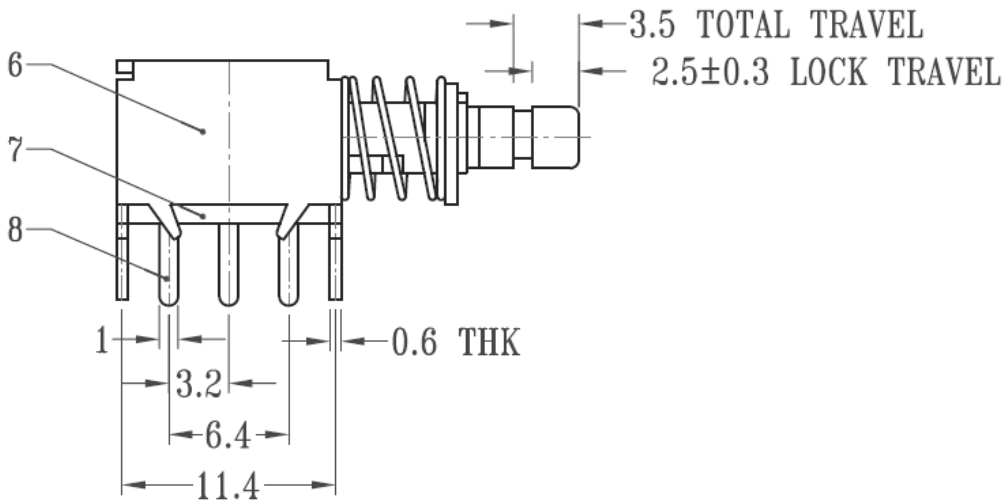
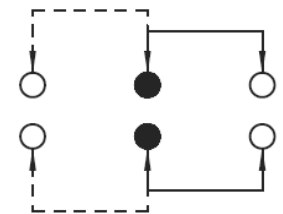



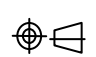
P.C.B LAYOUT
BOTTOM VIEW



9	CONTACT CLIP	PBS C5210R-EH	2	Ag CLAD
8	TERMINAL	BRASS STRIP	6	Ag PLATED OVER Ni PLATED
7	BASE	PHENOLIC RESIN	1	NATURAL
6	FRAME	STEEL STRIP	3	Ni PLATED
5	SPRING PLATE	PBS STRIP	1	NATURAL
4	CAM STICK	PBS WIRE	1	NATURAL
3	SPRING	STEEL WIRE	1	Ni PLATED
2	BLOCK	STEEL STRIP	1	Ni PLATED
1	KNOB	PA66	1	BLACK
NO	PART NAME	MATERIAL	Q'TY	FINISHING



SCHEMATIC (NON-SHORTING)

 銓基電子股份有限公司 ROKI ELECTRONICS CO., LTD.	PART NAME : PUSH SWITCH		SCALE :
	PART NO : PS25-22-S6-PF Series		UNIT : mm
	TOLERANCE : WITHIN 1.5mm:±0.10 mm OVER 1.5mm:±0.20 mm		 VER : R01

PS25-22N

NON-LOCK

PS25-22L

LOCK

MODEL NO.

FUNCTION